

1-ABS Series



CE

Applications

- Utilizing a sealed, submersible pump with sump-type pick-up, the 1-ABS offers low on and off levels and is ideal for in-pan placement for condensate removal. An integrated, unique float switch design assures reliability and security while providing easy access to the float for servicing.

Features

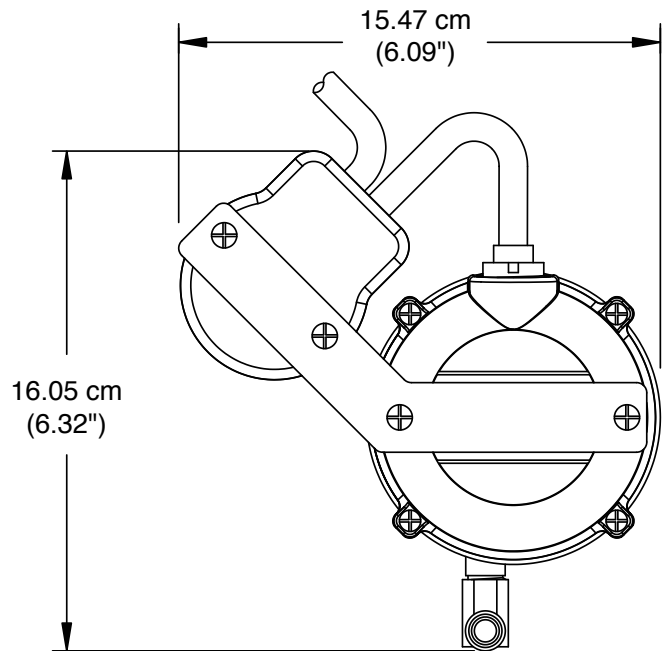
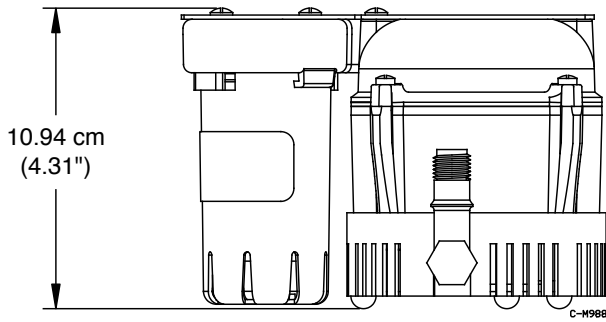
- Permanently lubricated motor bearings requires no maintenance during life of pump
- Oil-filled to maximize heat dissipation
- Epoxy-coated cast aluminum pump housing
- Automatic on-off operation
- Easy to remove float housing for servicing
- Includes removable inlet filter screen
- Includes 90° ¼" MNPT adapter (suitable for ½" I.D. (25 mm) vinyl tubing)
- Low on and off level; turns on at 44.5 mm and off at 31.75 mm; will operate in most standard condensate drain pans
- Includes 3 m cord

Construction

Motor: 1/150 hp
Housing: Epoxy-coated cast aluminum
Cover: Epoxy-coated cast aluminum
Volute: Nylon
Impeller: Nylon
Shaft Seal: Nitrile
Screen: Polyethylene
Switch Bracket: Stainless steel

LittleGIANT®

Engineering Data



Specifications

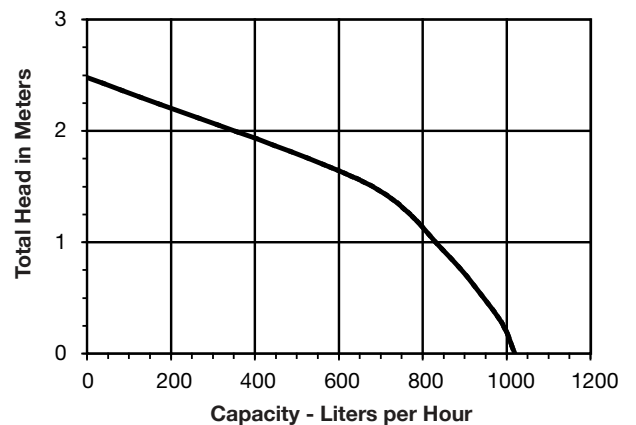
Item No.	Model No.	Discharge	HP	Volts	Hertz	Amps	Watts	Performance (LPH @ Head)			Shut Off	Bars	Power Cord	Weight Kg
								.30 m	.91 m	1.5 m				
550531	1-ABS	1/4" MNPT	1/150	230	50	.6	70	946	825	682	2.47m	0.30	*3.35m	1.59

* No plug

Replacement Parts

Item	Part Number
Volute	116375
Impeller	116437
Seal Ring	928007
Screen	101376
Elbow Discharge	943076
Float Replacement	950060
Float Screen	950284

Performance Data



Franklin Electric

P.O. Box 12010
 Oklahoma City, OK 73157-2010
 Email: export@LittleGiantPump.com
www.LittleGiant.com