

Si-82 PACK 2

CENTRIFUGAL PUMP

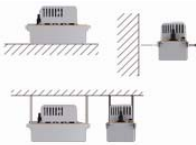


The Si-82 pump is designed to be easily installed whatever the layout of the premises. Capable of evacuating up to 500 l/h, the Si-82 pump is suitable for air conditioning units and industrial refrigeration displays. Strong, the Si-82 tolerates charged, high temperature and acidic condensates (pH>2.5) produced by gas condensing boilers.

BENEFITS

- **High performance**

- Can discharge condensates **up to 5m**
- **Up to 500 l/h**, for shorter running time
- **Low sound level** – quiet operation



- **Installation in any place**

Pump can be floor mounted, attached on a wall or hanging from a ceiling.

- **Versatile**

Easily removable tank and reversible pump, to allow mounting rather on the left or on the right of the application and choosing the side of the water exit.



- **Easy electrical connection**

New plug-in power cord to facilitate installation and maintenance.



- **Easy hydraulic connection**

- New quarter turn easily removable check valve, designed to facilitate 10 mm (3/8") or 6 mm (1/4") hose plug in.
- 4 inlet holes Ø 30 mm



- **High resistance**

- **Oil and acid resistant** float
- Mechanical structure **resistant to shocks**

KIT CONTENTS

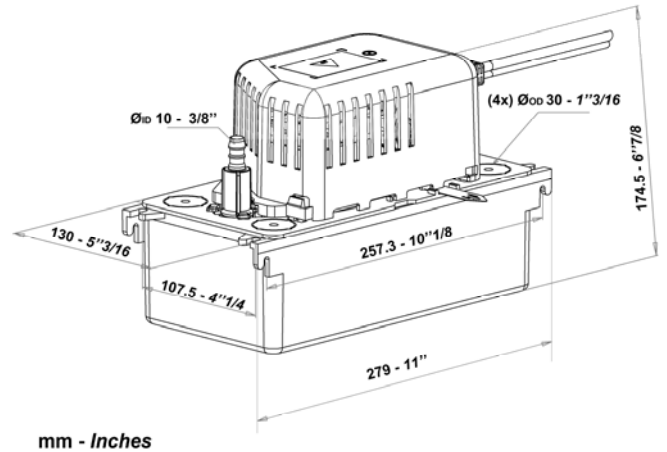


- One-piece centrifugal pump with tank (2L). Integrated barb end check valve Ø 10 mm (3/8").
- Plug-in power & safety switch cord 1.5m. (plug + bare ends)
- Hose: 5 m roll Ø 10 mm int. (3/8")
- Adaptor Ø 10 mm (3/8") to Ø 20 mm (3/4")
- Ø 10 mm (3/8") to Ø 10 mm (3/8") straight connector
- 2 screws + 2 plugs

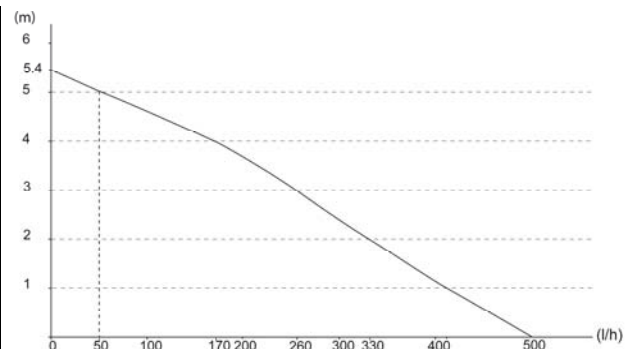
APPLICATIONS

- Column air conditioning units • Multi cassettes • Ducted units
- Condensing boilers • High efficiency gas furnace
- Refrigerating display cabinets • Evaporators

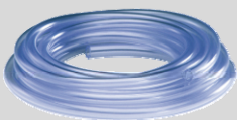
TECHNICAL CHARACTERISTICS	
Max. flow rate	500 l/h
Max. discharge head	5.0m
Max pressure	5.4 m (flowrate=0)
Sound level in application at 1m(3.3ft): ≤ 45 dBA (Measured in Sauermann acoustic lab, pump operating with water)	
Mains supply	230V~ 50Hz - 70 W – 0.67A
Detection levels	On : 43mm, Off : 27mm, Alarm : 56mm
Safety switch	NC 4 A resistive – 250V
Max. condensate temperature	65°C, 80°C in short peak
Max. condensate acidity	pH > 2.5 (Gas condensing boilers)
Thermal protection (overheating)	105°C (auto-reset)
Intermittent operation cycle	30%: 3s ON – 7s OFF
Protection	IP20
Safety standards	CE
RoHS directive	Compliant
DEEE directive	Compliant
Weight (including box)	2.6 kg
Packaging	4 pcs: L400xW300xH200 mm
Pallet quantity	64 pieces in Palbox (EUR size)



ACTUAL FLOW RATES (l/h)				
Vertical Discharge head	Total tube length (Ø 10 mm ID., 3/8")			
	5 m	10 m	20 m	30 m
1 m	380	300	240	190
2 m	310	260	200	150
3 m	240	200	145	110
4 m	150	130	80	60
5 m	30	20	0	0



RECOMMENDED ACCESSORIES



ACC 00125, ACC 00126
Hose Ø 10 mm
ACC 00125 : 25 m roll
ACC 00126 : reinforcing 25 m roll



ACC 00801
Replacement
check valve Ø 10 mm (3/8")